

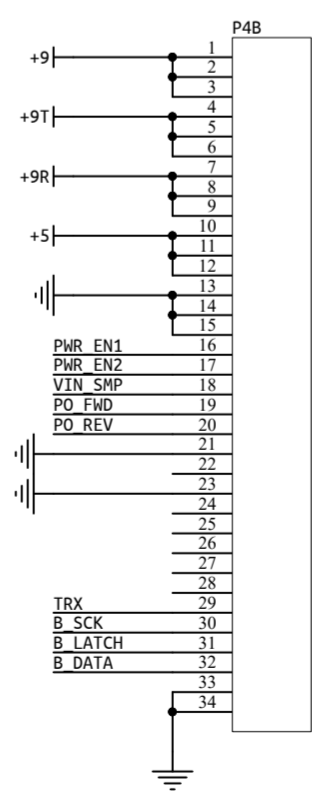
CQXIEGU.COM

CQXIEGU.COM

CQXIEGU.COM

L1	C110B	C1	C111B	BS1	C112B	BS1	C150B	BS1	C151B
L2	1000pF	C2	1000pF	BS2	1000pF	BS2	1000pF	BS2	1000pF
L3	2000pF	C3	2000pF	BS3	2000pF	BS3	2000pF	BS3	2000pF
L4	1000pF	C4	1000pF	BS4	1000pF	BS4	1000pF	BS4	1000pF
L5	2000pF	C5	2000pF	BS5	2000pF	BS5	2000pF	BS5	2000pF
L6	1000pF	C6	1000pF	BS6	1000pF	BS6	1000pF	BS6	1000pF
L7	2000pF	C7	2000pF	ATU LC/CL	100nF				
L8	1000pF	C8	1000pF	ATU BPS	100nF				

C162B	C163B	C164B	C165B	C166B	C167B	C168B	C169B	C170B	C171B	C172B	C173B	C174B	C175B	C176B
100nF	100nF	100nF	100nF	100nF	100nF	100nF	100nF	100nF	100nF	100nF	100nF	100nF	100nF	100nF



图纸名称: G90底板  
 所属项目: \*  
 作者: Jet Yee    日期: 2018/7/8    版本: 2.06  
 图纸号: 共 1 张    第 1 张  
 公司名称: 协谷通信